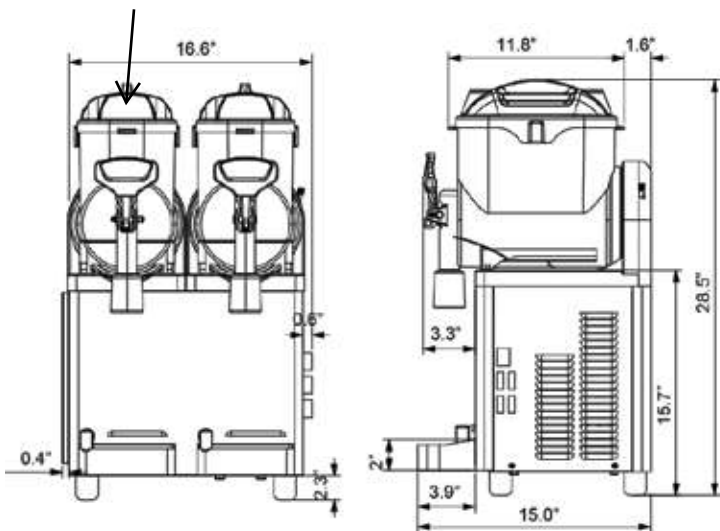




SSM-52

POS panel dimensions: top: 2.5" W, bottom
3.5" W, center high 1.75" H



* Standard Warranty: 1 Year Parts & Labor

REV. 11/03/2023

Features and Benefits

- Fastest Freezing cycle
- 2.0 gal/bowl capacity
- Durable metal gear motor for long life and reliability
- Dispense a variety of frozen beverages
- Perfect performance in tropical zone
- Classical design
- Easy Maintenance & Cleaning
- Automatic shut down refrigeration control
- Easy removal drip tray

Specifications

Model	SSM-52
Tank Capacity	2.0 gallon x 2 Bowls
Legs	Rubber
Power Consumption	0.67 HP (500 W)
Gear Motor	67 W x 2
Refrigerant	R134A
Compressor	0.5 HP
Electrical <i>(included power cord with NEMA 5-15 plug)</i>	115V / 60Hz / 1Ph

Exterior

DIMENSION	MACHINE	SHIPPING
Width	16.6"	19"
Depth	15.0"	18"
Height	26.2"	35"
Weight	83.8 lbs	99 lbs

Certifications



Design and specifications are subject to change without notice

